



s.35 high pressure

mini 1/8" - 1/2"
drawn brass ball valve



Quality

- Dual sealing system allows valve to be operated in either direction making installation easier
- No metal-to-metal moving parts
- No maintenance ever required
- Silicone-free lubricant on all seals
- Chrome plated brass ball for longer life
- Each valve is seal tested for maximum safety
- Handle/ stem clearly shows ball position

Body

- One piece drawn sand blasted brass body with extremely compact design
- Finest brass according to EN 12164 specification
- Patent n. 7011-B/89

Stem

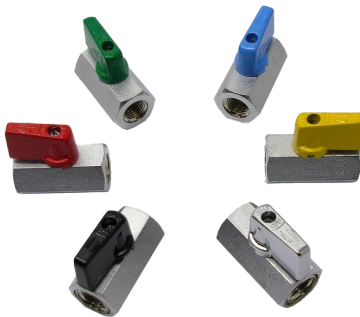
- Blowout-proof brass stem with FPM O-ring
- Maintenance-free thanks to FPM O-ring at the stem for maximum safety

Sealing

- Pure PTFE self-lubricating seats with flexible-lip design

Threads

- ISO 228 parallel female by female threads



Handle

- Reinforced nylon black wedge handle removable with valve in service
- **WARNING:** do not exceed reasonable temperature and/or electrical load

Working pressure & temperature

- 30 Bar (450 PSI) non-shock cold working pressure
- -20°C (-4°F) / +90°C (+200°F)
- +120°C (+250°F) screw driver version and metal wedge handle
- **WARNING:** freezing of the fluid in the installation may severely damage the valve

Options

- Male by female threads
- Screw driver or wrench operated
- Nylon wedge handle yellow, red or green
- Metal wedge handle available in colours red, black, yellow, green, light blue, chrome plated
- Grey wedge handle in Grivory® -high performing polymer
- NPT taper ANSI B.1.20.1 threads
- Additional connection options on demand

Upon request

- Aluminum body
- ISO 7/1 BSPT taper threads
- Dezincification resistant brass CW602N

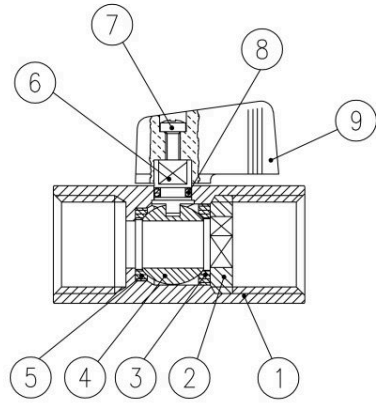
PED directive

- The product meets the requirements of PED Directive 2014/68/UE and according to art.4 par.3, it does not require CE marking

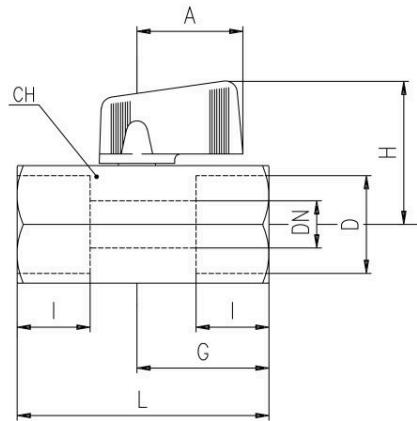
Approved by or in compliance with

- GOST-R (Russia)
- EAC - Declaration of conformity (Russia-Kazakhstan-Belarus)
- RoHS Compliant (EU)

NOTE: approvals apply to specific configurations/sizes only.



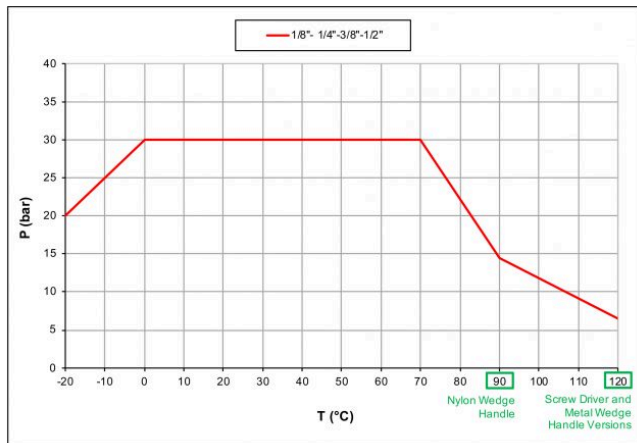
PART DESCRIPTION	Q.TY	MATERIAL
1	1	Chrome plated body
2	1	Retainer nut
3	1	Retainer seat
4	1	Chrome plated ball
5	1	Body seat
6	1	Unplated stem
7	1	Zinc plated screw
8	1	O-Ring
9	1	Black handle



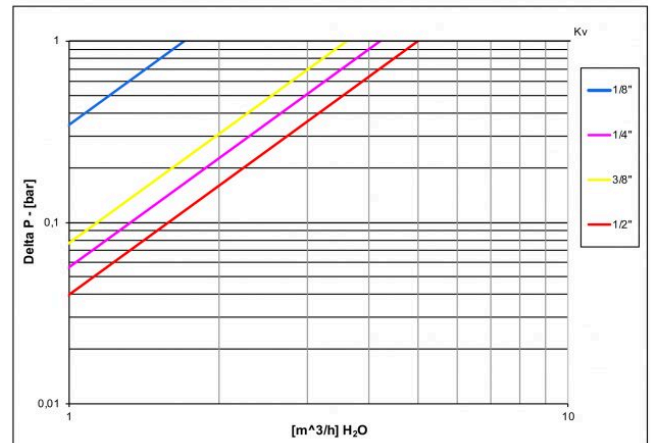
Code	S35AF0	S35BF0	S35CF0	S35DF0
D (inch)	1/8	1/4	3/8	1/2
DN(mm)	6	8	8	10
I (mm)	10	11	11	13
L (mm)	41.5	41.5	41.5	49
G (mm)	22	22	22	26
A (mm)	22.5	22.5	22.5	22.5
H (mm)	31	31	31	33
CH(mm)	21	21	21	25
Kv(m3/h)	1.7	4.2	3.6	5

DN shows the nominal flow diameter.

Pressure-temperature chart



Pressure drop chart



Ask for additional information on the whole range of **RUB** products and consult with your supplier for special applications.
For complete disclaimer: www.rubvalves.com/disclaimer