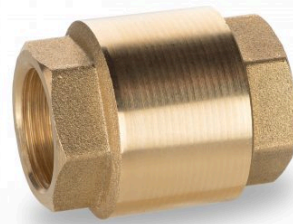




s.120

3/8" - 4" ISO 228 check valve



Quality

- Suitable for domestic, industrial, pneumatic and hydraulic installations
- Performs well in any orientation

Body

- Low pressure drop
- Hot forged CW617N brass body

Stem

- Nylon stem allows wide range of applications

Sealing

- NBR 65 SH/PS seal on nylon holder

Threads

- ISO 228 parallel female by female threads

Working pressure & temperature

- 12 bar (174 PSI) up to 1", 10 bar (145 PSI) from 1.1/4" up to 2" and 8 bar (116 PSI) over 2" non-shock cold working pressure
- -20°C to +100°C (-4°F to +212°F)
- **WARNING:** freezing of the fluid in the installation may severely damage the valve

Options

- Stainless steel filter (1.4301 / AISI 304)

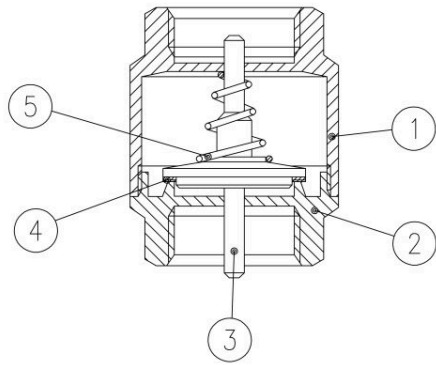
PED directive

- The product described in this document meets the requirements of PED Directive 2014/68/UE and according to art.4 par.3, it does not require CE marking; it cannot be used with dangerous gases in sizes larger than 25mm

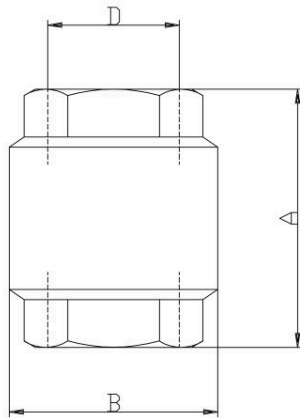
Approved by or in compliance with

- GOST-R (Russia)
- RoHS Compliant (EU)

NOTE: approvals apply to specific configurations/sizes only.

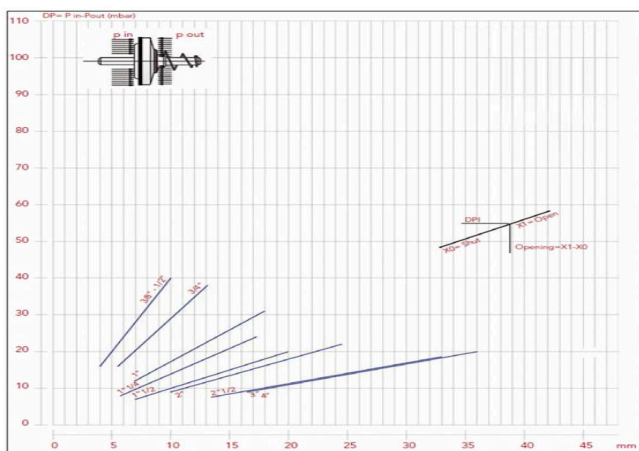


	PART DESCRIPTION	Q.TY	MATERIAL
1	Body	1	CW617N
2	End-cap	1	CW617N
3	Stem-seat	1	Nylon
4	Seat	1	NBR
5	Stainless steel spring	1	1.4325 / AISI 302

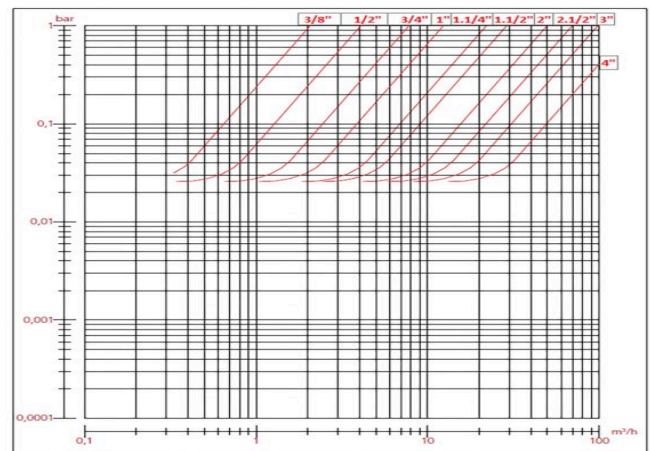


Code	120C00	120D00	120E00	120F00	120G00	120H00	120I00	120L00	120M00	120N00
D (inch)	3/8	1/2	3/4	1	1 1/4	1 1/2	2	2 1/2	3	4
A (mm)	46.5	47	53	60.5	66.5	74	80	98	103	118.5
B (mm)	34.5	34.5	42	47.5	59.5	71	86.5	102	125	155
PN(Kg/cm ²)	12	12	12	12	10	10	10	8	8	8
Kv	2.11	4.22	7.92	11.67	22.42	29.39	51.40	69.90	98.49	157.91

Diagram minimum pressure to get the valves opening



Pressure drop chart



Ask for additional information on the whole range of **RUB** products and consult with your supplier for special applications.
For complete disclaimer: www.rubvalves.com/disclaimer