

EURO -profile nipples

Series 510, 520, 530, 540, 550, 560 & 570, Hardened steel



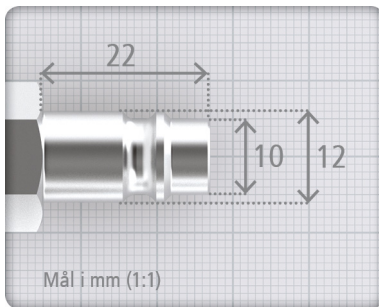
EURO-Profile Nipples

Hardened steel

The EURO-profile nipples are produced in hardened steel. This gives a very strong and impact-resistant nipple.

The JWL nipples with external thread can also be delivered with teflon

Dimensions: Series 510, 520, 530, 540, 550, 560, 570



Mål i mm (1:1)

Dimensions in mm (1:1)

Compability

Standard: EURO

Flow diameter: 7,8 mm

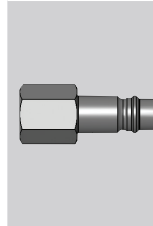
Connectable with the following:

Cejn 320, Hansen Auto Flo 24, Proquix 1420 & 1421, Legris 94xx A, Oetiker SC Series C, Prevost ESC 07/ERC 07, Rectus-Tema 25, 26 & 1600.

Available with the following connections:

Internal thread, external thread, hose connection and PUR connection

Thread

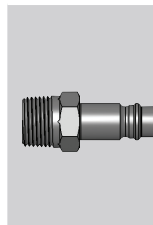


Nipples, connection

1/4" BSP internal thread
1/4" NPT Internal thread
3/8" BSP internal thread
3/8" NPT Internal thread
1/2" BSP Internal thread
1/2" NPT Internal thread

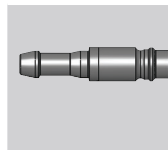
Article no.

520302
520332*
520304
520334*
520305
520335*



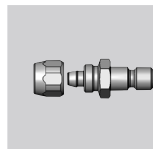
1/4" BSPT ext. thread
1/4" NPT ext. thread
3/8" BSPT ext. thread
3/8" NPT ext. thread
1/2" BSPT ext. thread
1/2" NPT ext. thread

520312
520342*
520314
520344*
520315
520345*



1/4" (6mm) hose con.
5/16" (8mm) hose con.
3/8" (10mm) hose con.
1/2" (13mm) hose con.

520322
520323
520324
520325



PUR con. $\varnothing 5/\varnothing 8$ mm
PUR con. $\varnothing 6,5/\varnothing 10$ mm
PUR con. $\varnothing 8/\varnothing 12$ mm
PUR con. $\varnothing 9,5/\varnothing 13,5$ mm

520352
520354
520355
520356

* On request



Made in Denmark

www.jwl.dk